



# CIC 200™ RAZOR-BACK™ WOOD SPADE BITS

**FEATURES:**

- Chisel edge design for cleaner, smoother holes and faster cutting
- Angled spurs make bigger chips with less binding
- Exclusive tempering process for tough bits that last up to 6 times longer
- Hex shank fits all drills and 1/4" quick-change holders and also prevents spinning in drill chuck or in bit extension

- Quick Change extension allows for fast and easy bit changes – saving time and money
- Slim diameter Quick Change chuck passes through 11/16" and larger holes

**P/N 17730**

16

1/4" P/N 61580		3/8" P/N 61582	
5/16" P/N 61581		7/16" P/N 61583	
1/2" P/N 61584		5/8" P/N 61586	
9/16" P/N 61585		3/4" P/N 61588	
7/8" P/N 61590		1" P/N 61592	
1-1/8" P/N 61593		1-1/4" P/N 61594	
1-3/8" P/N 61595		1-1/2" P/N 61596	
12" QUICK CHANGE EXTENSION P/N 61576		 WALL MOUNT SPADE BIT HOLDER P/N 7976 	

A23-1

**TRAY FRONT**



# FORSTNER BITS

**FEATURES:**











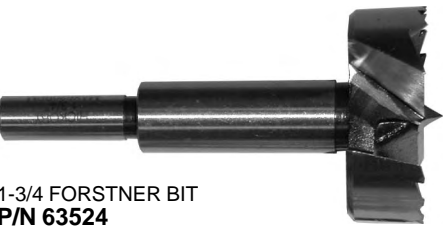
- Precision-sharpened high speed steel bit with center guide point provides smoother cuts
- Fully hardened and have machined bodies for increased strength, safety and life
- Use in portable drills as well as drill presses
- Used to drill clean accurate, flat-bottomed holes in wood for counterboard screws, pocket holes, pilot holes and decorative edges
- Use in portable drills as well as drill presses

**USES:**

- Drills smooth 90° holes in all softwoods
- Drills partially overlapped flat-bottom holes for ease in mortising
- Drills holes for making arched openings
- Drills pocket holes used to fix supports
- Ideal for making recesses for hinges

**P/N 17946**

13

 <b>1/4 FORSTNER BIT</b> <b>P/N 63500</b>	 <b>7/8 FORSTNER BIT</b> <b>P/N 63510</b>	 <b>1-3/8 FORSTNER BIT</b> <b>P/N 63518</b>	<p>EXPANSION</p>
 <b>3/8 FORSTNER BIT</b> <b>P/N 63502</b>	 <b>1" FORSTNER BIT</b> <b>P/N 63512</b>	 <b>1-1/2 FORSTNER BIT</b> <b>P/N 63520</b>	
 <b>1/2 FORSTNER BIT.</b> <b>P/N 63504</b>	 <b>1-1/8 FORSTNER BIT</b> <b>P/N 63514</b>	 <b>1-5/8 FORSTNER BIT</b> <b>P/N 63522</b>	<p>EXPANSION</p>
 <b>5/8 FORSTNER BIT</b> <b>P/N 63506</b>	 <b>3/4 FORSTNER BIT</b> <b>P/N 63508</b>	 <b>1-3/4 FORSTNER BIT</b> <b>P/N 63524</b>	

A23-2

**TRAY FRONT**



# SDS MAX HAMMER DRILL BITS SIZES 1/2" TO 1-1/8"

P/N 17065



**FEATURES:**

- Innovative 4 cutter cross head design
- Unique carbide geometry & centering tips for easy start up and drilling
- Use in concrete and hard masonry materials

6

SDS Max Hammer Bit, 1/2" x 8" x 13"  
P/N 77079



SDS Max Hammer Bit, 5/8" x 8" x 13"  
P/N 77083



SDS Max Hammer Bit, 3/4" x 8" x 13"  
P/N 77087



SDS Max Hammer Bit, 7/8" x 8" x 13"  
P/N 77090



SDS Max Hammer Bit, 1" x 8" x 13"  
P/N 77093



SDS Max Hammer Bit, 1-1/8" x 12" x 17"  
P/N 77097



A233

**TRAY FRONT**



# SPLINE SHANK HAMMER DRILL BITS, SINGLE POINT, SIZES 1/2" TO 3/4"

P/N 17066



**FEATURES:**

• Splines held to very close tolerances assure perfect fit

• Use in concrete and hard masonry materials

5

Spline Shank Hammer Bit, 1/2" x 5" x 10"  
P/N 77111



Spline Shank Hammer Bit, 1/2" x 11" x 16"  
P/N 77113



Spline Shank Hammer Bit, 5/8" x 5" x 10"  
P/N 77119



Spline Shank Hammer Bit, 5/8" x 8" x 13"  
P/N 77120



Spline Shank Hammer Bit, 3/4" x 11" x 16"  
P/N 77127



EXPANSION

TRAY FRONT

A234



# SPLINE SHANK HAMMER DRILL BITS, SINGLE POINT, SIZES 1" TO 1-1/2"

P/N 17067



**FEATURES:**

- Splines held to very close tolerances assure perfect fit
- Use in concrete and hard masonry materials

4

Spline Shank Hammer Bit, 1" x 11" x 16"  
P/N 77134



Spline Shank Hammer Bit, 1-1/8" x 11" x 16"  
P/N 77137



Spline Shank Hammer Bit, 1-1/4" x 11" x 16"  
P/N 77139



Spline Shank Hammer Bit, 1-1/2" x 11" x 16"  
P/N 77144



EXPANSION

EXPANSION

**TRAY FRONT**

A235



# SPLINE SHANK HAMMER DRILL BITS, QUAD POINT, SIZES 5/8" TO 3/4"

P/N 17068



**FEATURES:**

- 50% improved bit life
- Resists rebar hits
- Rounder more accurate holes
- Use in concrete and hard masonry materials

4

Spline Shank Hammer Bit, Quad Point, 5/8" x 5" x 10"  
P/N 77148



Spline Shank Hammer Bit, Quad Point, 5/8" x 11" x 16"  
P/N 77149



Spline Shank Hammer Bit, Quad Point, 3/4" x 5" x 10"  
P/N 77153



Spline Shank Hammer Bit, Quad Point, 3/4" x 11" x 16"  
P/N 77154



EXPANSION

EXPANSION

**TRAY FRONT**

A236



# SPLINE SHANK HAMMER DRILL BITS, QUAD POINT, SIZES 7/8" TO 1-1/4"

P/N 17069



**FEATURES:**

- 50% improved bit life
- Resists rebar hits
- Rounder more accurate holes
- Use in concrete and hard masonry materials

4

Spline Shank Hammer Bit, Quad Point, 7/8" x 11" x 16"  
P/N 77158



Spline Shank Hammer Bit, Quad Point, 1" x 11" x 16"  
P/N 77160



Spline Shank Hammer Bit, Quad Point, 1-1/8" x 11" x 16"  
P/N 77163



Spline Shank Hammer Bit, Quad Point, 1-1/4" x 11" x 16"  
P/N 77165



EXPANSION

EXPANSION

**TRAY FRONT**

A23-7



# REAMER ASSORTMENT

P/N 17976

### FEATURES

- "Spiral taper" frame and steel reamer for enlarging, finishing and making precision holes in sheet steel, frames, tubing, alloy and stainless steel sections
- 1/2" diameter shank with ground flats for non-slip chucking
- More cutting edges for smooth, fast precision cuts with less chance of chipping and galling

- Stop collar prevents over penetration for safer, faster operation
- Left hand spiral for easy entry and fast metal removal
- 5-flute design eliminates chattering and rough holes



1/4  
P/N 91458



5/8  
P/N 91462



5/16  
P/N 91459



3/4  
P/N 91463



3/8  
P/N 91460



7/8  
P/N 91464



1/2  
P/N 91461



1"  
P/N 91465

TRAY FRONT

8

A23-8